

A15QS

SEMICONDUCTOR PROTECTION FUSES



A15QS Amp-trap® Form 101 Semiconductor Protection fuses were designed for the specific protection of diodes and other semiconductor devices rated 150VAC/DC.

The A15QS product line's compact design is perfect for those applications that have limitations on available space.

Features/Benefits

- **Low I²t** minimizes damage to protected components on short circuit
- **Controlled arc voltage** reduces stress to circuit components during fuse clearing
- **Choice of mounting types** provides options for unique termination requirements

Ratings

- **AC:** 1-6000A
150VAC, 100kA I.R.
- **DC:** 1-6000A
150VDC, 100kA I.R.

Approvals

- UL Recognized Component
UL File E60314
- AC: UL Guide No. JFHR2 (1-4000A)
- DC Tested to UL Standard 198L parameters (1-4000A)

HIGHLIGHTS:

- Fast Acting
- Current Limiting
- Low I²t
- Indicator Options Available

APPLICATIONS:

- Protection of heavy duty devices such as electrochemical rectifiers



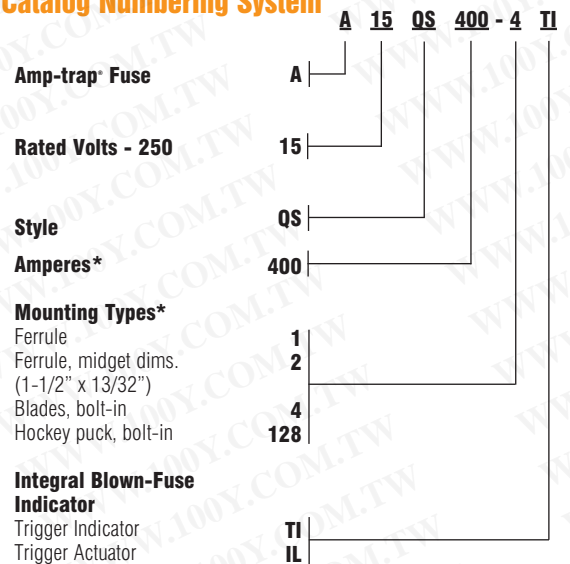
勝特力材料 886-3-5753170
 勝特力电子(上海) 86-21-54151736
 勝特力电子(深圳) 86-755-83298787
[Http://www.100y.com.tw](http://www.100y.com.tw)

Single Pole Fuse Blocks for A15QS Fuses

FUSE AMPERE RATING	FUSE BLOCK CATALOG NUMBER
1-30	30311
31-60	U71006
61-100	P243D
101-200	P243D
201-450	P243D
500-600	P243G



Catalog Numbering System



Integral Blown-Fuse Indicator

Trigger Indicator
Trigger Actuator

* For ampere ratings and types not listed, consult the factory.
 ** For harsh duty applications, refer to the A13X product family. Consult the factory or OEM Central web site for A13X application information.
[Http://www.ferrazshawmut.com/oem](http://www.ferrazshawmut.com/oem)

A15QS

SEMICONDUCTOR PROTECTION FUSES

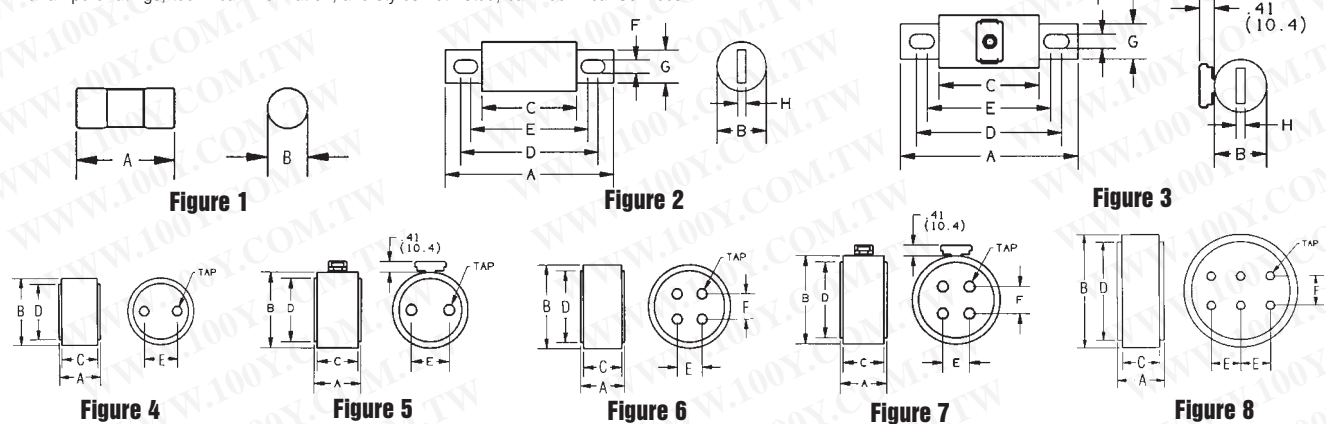
Standard Fuse Ampere Ratings, Catalog Numbers

AMPERE	CATALOG	OUTLINE	AMPERE	CATALOG	OUTLINE	AMPERE	CATALOG	OUTLINE	AMPERE	CATALOG	OUTLINE
1	A15QS1-2	1	70	A15QS70-4	2	350	A15QS350-4TI	2	2000	A15QS2000128IL	5
2	A15QS2-2	1	70	A15QS70-4TI	2	400	A15QS400-4	2	2500	A15QS2500-128	4
3	A15QS3-2	1	80	A15QS80-4	2	400	A15QS400-4IL	3	2500	A15QS2500-128IL	5
4	A15QS4-2	1	80	A15QS80-4TI	2	400	A15QS400-4TI	2	3000	A15QS3000-128	4
5	A15QS5-2	1	90	A15QS90-4	2	450	A15QS450-4	2	3000	A15QS3000-128IL	5
6	A15QS6-2	1	100	A15QS100-4	2	450	A15QS450-4IL	3	3500	A15QS3500-128	6
7	A15QS7-2	1	100	A15QS100-4TI	2	500	A15QS500-4	2	4000	A15QS4000-128	6
8	A15QS8-2	1	130	A15QS130-4	2	500	A15QS500-4IL	3	4000	A15QS4000-128IL	7
10	A15QS10-2	1	130	A15QS130-4TI	2	600	A15QS600-4	2	4500	A15QS4500-128	
12	A15QS12-2	1	150	A15QS150-4	2	800	A15QS600-4IL	3	4500	A15QS4500-128IR	
15	A15QS15-2	1	150	A15QS150-4IL	3	800	A15QS800-4	2	5000*	A15QS5000-128	8
20	A15QS20-2	1	150	A15QS150-4TI	2	1000	A15QS1000-4	2	6000*	A15QS6000-128	8
25	A15QS25-2	1	175	A15QS175-4TI	2	1000	A15QS1000-4IL	3			
30	A15QS30-2	1	200	A15QS200-4	2	1000	A15QS1000-4TI	2			
35	A15QS35-1	1	200	A15QS200-4IL	3	1000	A15QS1000-128	4			
40	A15QS40-1	1	250	A15QS250-4	2	1000	A15QS1000-128IL	5			
40	A15QS40-4TI	2	250	A15QS250-4TI	2	1200	A15QS1200-128	4			
45	A15QS45-1	1	300	A15QS300-4	2	1200	A15QS1200-128IL	5			
50	A15QS50-1	1	300	A15QS300-4IL	2	1200	A15QS1500-128	4			
50	A15QS50-4	2	300	A15QS300-4IL	3	1500	A15QS1500-128IL	5			
60	A15QS60-1	1	350	A15QS350-4	2	2000	A15QS2000-128	4			

D

勝特力材料 886-3-5753170
 勝特力电子(上海) 86-21-54151736
 勝特力电子(深圳) 86-755-83298787
[Http://www.100y.com.tw](http://www.100y.com.tw)

*For ampere ratings, technical information, and styles not listed, call Technical Services.



Dimensions

OUTLINE REF.	MOUNTING TYPE	FIG.	DIMENSIONS - INCHES (mm)								TAP	
			A	B	C	D	E	F	G	H		
A15QS1 to 30	2	1	1.50 (38.1)	.41 (10.4)	-	-	-	-	-	-	-	-
A15QS35 to 60	1	1	2.00 (50.8)	.81 (20.6)	-	-	-	-	-	-	-	-
A15QS20 to 450	4, 4TI*, 4IL*	2, 3*	2.66 (67.6)	1.13 (28.7)	1.16 (29.5)	2.19 (55.6)	1.91 (48.5)	.31 (7.9)	.74 (22.4)	.13 (4.8)	-	-
A15QS500 to 1000	4, 4TI*, 4IL*	2, 3*	3.50 (88.9)	1.50 (38.1)	1.25 (31.8)	2.56 (65.0)	1.94 (49.3)	.41 (10.4)	1.00 (25.4)	.25 (6.4)	-	-
A15QS750 to 2000	128, 128IL*	4, 5*	1.88 (47.8)	2.00 (50.8)	1.63 (41.4)	1.75 (44.5)	1.00 (25.4)	-	-	-	-	3/8-24-1/2 Deep
A15QS2500 to 3000	128, 128IL*	4, 5*	1.88 (47.88)	3.00 (76.2)	1.63 (41.4)	2.50 (63.5)	1.50 (38.1)	-	-	-	-	1/2-20-1/2 Deep
A15QS3500 to 4000	128, 128IL*	6, 7*	1.88 (47.88)	3.50 (88.9)	1.63 (41.4)	3.00 (76.2)	1.06 (27.0)	1.06 (27.0)	-	-	-	1/2-20-1/2 Deep
A15QS4500 to 6000	128	8	2.38 (60.5)	5.75 (146)	1.88 (47.7)	5.00 (127)	1.50 (38.1)	1.50 (38.1)	-	-	-	1/2-20-1/2 Deep

* Optional Trigger Actuator (IL)